

COMPRESSOR

MEC SC 6500 - 8000

MEC II SC 9000 - 11000 - 13500

WPT SC 480 - 600 - 720

Technical catalogue

Catalogo tecnico

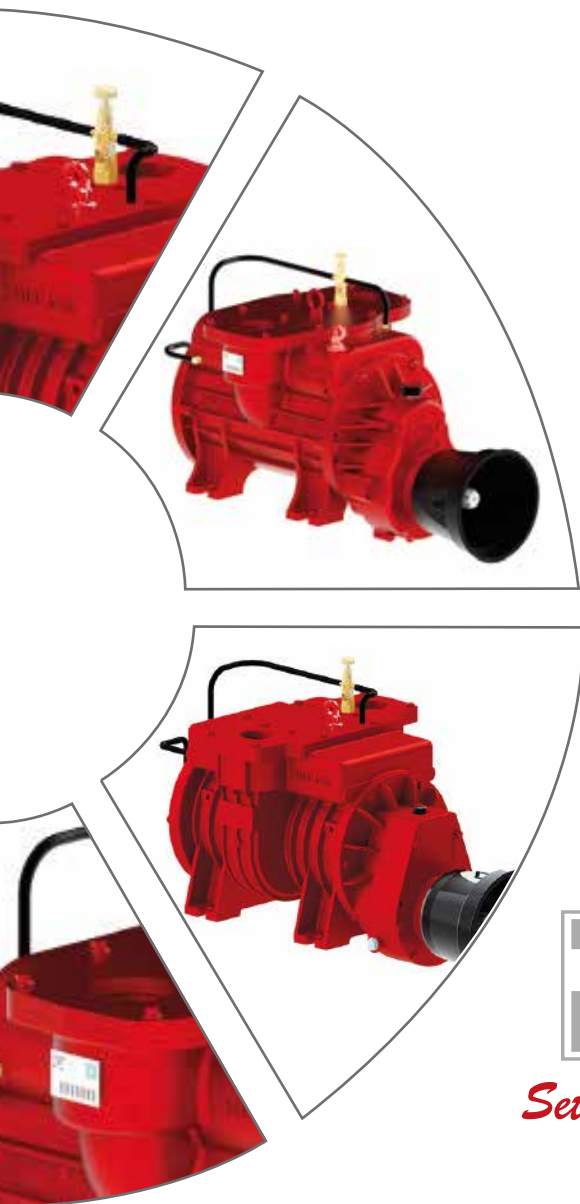
Technischer Katalog



Battioni®

Pagani

Setting the pace since 1953





Temperature indicator
Rilevatore di temperatura
Temperaturdedektor



160° C Irreversible indicator

Indicatore Irreversibile 160° C
irreversibel
Anzeiger 160° C

Forced lubrication pump as standard (automatic lubrication on request)

Pompa di lubrificazione forzata di serie a (lubrificazione automatica a richiesta)

Druckschmierung als Serie (Automatische Schmierung auf Anfrage)

Long Life blades as standard

Palette "long life" resistenti al calore di serie

Hitzebeständigen Lamellen aus Spezialmaterial als Serie



High wearing resistance thanks to cast-iron with high hardness

Elevata resistenza ad usura grazie a ghisa ad alta durezza

Hohe Festigkeit zu Abnutzung für Gußeisen mit hohe Härte



HOSE REELS EMPTYING COMPRESSORS

MEC - MEC II - WPT



● CRASH PROTECTION SYSTEM

Sliding Flanges to avoid breakages of the body and rotor during vanes crashes

Flange con asole di scorrimento in caso di ingresso materiale o rottura palette

Flansche mit Slotsblättern falls Materialschmierung oder Palettenbruch



Flange-housing alignment control

Tacca di allineamento flangia - corpo

Ausrichtmarke der Flanschgehäuse

● Blades inspection hole

Foro ispezione palette

Bohrung für Lamellen Prüfung

Vanes inspection hole with max wearing indicator

Tacca per rilevamento usura palette

Ausrichtmarke für die Abnutzung der Palette



● Compression and thrust rings for bearings

Anello di compensazione

Ausgleichsring



VERSIONS



MEC SC



MEC II SC



WPT SC

**Max Pressure
4 abs bar**



Hose Reels Emptying
Compressors

The picture is only for informative purpose.
See the table on page 89 for the complete list of the available optionals.



MEC - MEC II - WPT / SC

Compressor for irrigator

The version S.C. has been designed to be used as compressor for empty hose reel irrigators.

STANDARD FEATURES

- Available hoses connections: Ø 2" G / Ø 2"1/2 G



MEC SC
6500-8000



MEC II SC
9000-11000-13500



WPT SC
480-600-720

VERSIONS

CCW as standard



Version M
Splined shaft
1"3/8 - Z6 ISO 500

TECHNICAL DATA

	Geometrical capacity			Max rpm		Max abs pressure Bar/PSI	Power required at max pressure kw (HP)	Weight kg
	m³/h	l/min	cfm	M	MA			M
MEC SC 6500	420	7000	247	600	-	4 (58)	34 (59)	123
MEC SC 8000	486	8100	286	600	-	4 (58)	40 (53,6)	135
MEC II SC 9000	541	9030	319	600	1000	4 (58)	46 (61,6)	118
MEC II SC 11000	668	11137	393	600	1000	4 (58)	50 (67)	133
MEC II SC 13500	830	13845	489	600	1000	4 (58)	54 (72,4)	151
WPT SC 480	582	9700	342	600	1000	4 (58)	46 (61,6)	243
WPT SC 600	708	11800	416	600	1000	4 (58)	50 (67)	291
WPT SC 720	852	14200	501	600	1000	4 (58)	54 (72,4)	339

OPTIONALS



**Battioni Pagani
Vacuum Pump
Oil 5 lt.**
Code 5070200100

NEW



**Battioni Pagani
Flushing Fluid 5 lt.**
Code 5070200102

NEW



Flushing Kit
Code 6080200325



**Air-Water Cooled with
Thermostat WPT only**
Code 5090000081 - 12V
Code 5090000082 - 24V
Weight: 17,8 kg



**Customized
Painting**



ACCESSORIES





Battioni®
Pagani

Setting the pace since 1953



Battioni Pagani Pompe S.p.A.

Via Enzo Ferrari, 2
43058 Sorbolo (PR) - Italy

Ph. +39 0521 663203

Fax +39 0521 663206



www.bapag.it
info@bapag.it

